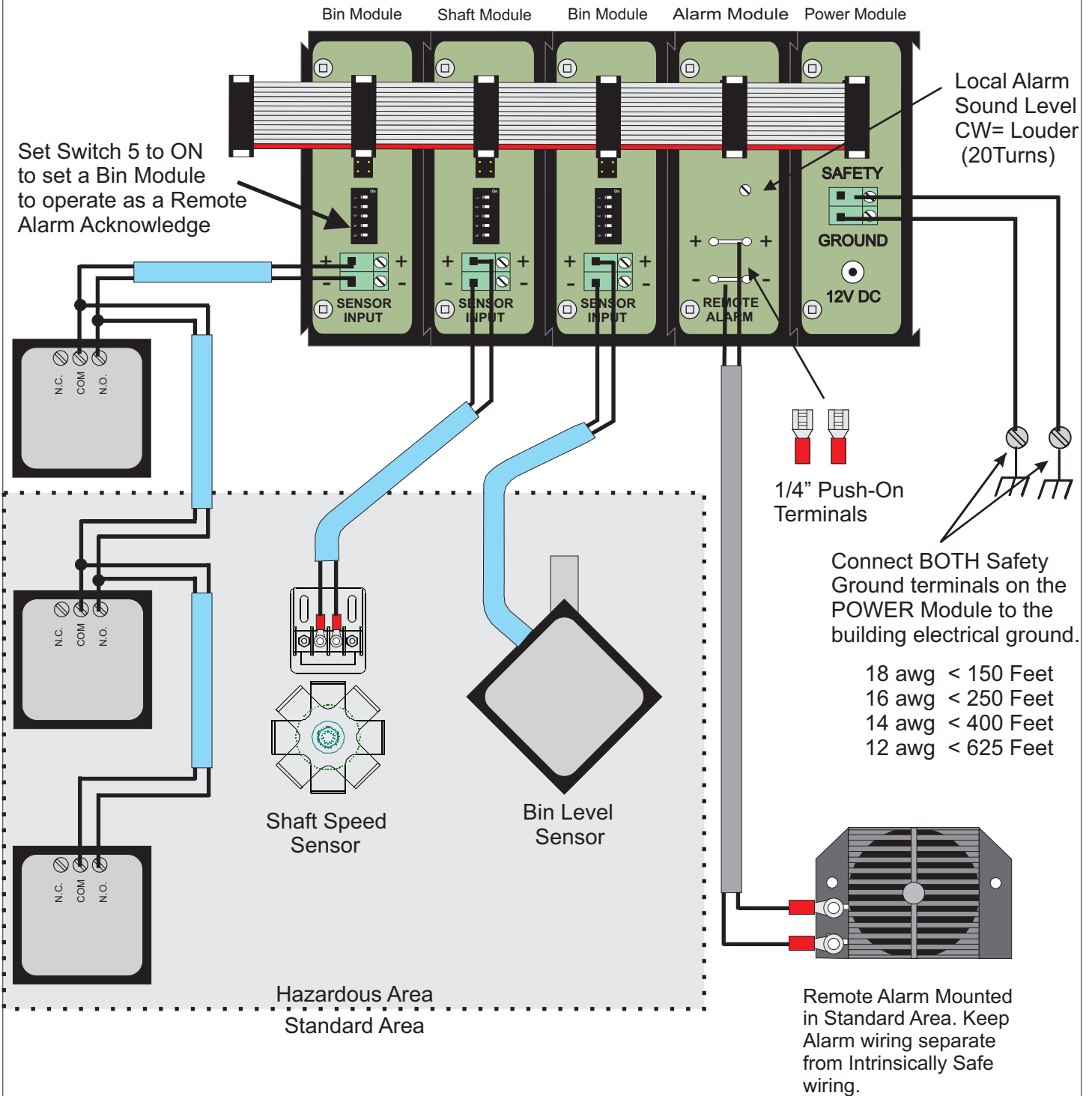


Remote Alarm and Remote Alarm Acknowledge Switch Installation

When a Bin Module is set as a Remote Alarm Acknowledge Switch, the module provides an Intrinsically Safe signal so that one or more switches can be mounted in parallel in hazardous locations throughout the plant. An operator can silence and acknowledge the monitor alarm by pressing any of the switches.



See Canadian Electrical Code Section 18 and Appendix F for Recommended Installation Practice for Intrinsically Safe and Non-Incendive Equipment and wiring.
WARNING: Intrinsic Safety may be impaired by improper installation.

